

## SPECIFICATION

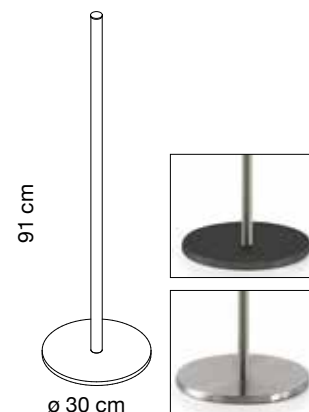
Range: **SET**

Design: **Caimi Lab**

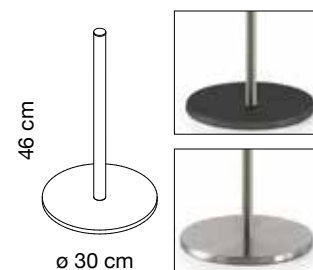
Codes: **1SECB5-IN / 1SECB5-I / 1SECB6-IN / 1SECB6-I**

Dimensions: base  $\varnothing$  30 cm  
stanchion  $\varnothing$  2,5 cm – H 91 cm o H 46 cm

Description: stanchions composed of a circular base ( $\varnothing$  30 cm), in black embossed epoxy powder-coated steel or covered with concentric satin-finished stainless steel and a satin-finished stainless steel tube ( $\varnothing$  2.5 cm, height 91 cm or 46 cm), which can be screwed into the lower part of the base by means of an M8 screw and has a side hole in the upper part for the attachment of accessories. The connection between stanchions and accessories is achieved thanks to an innovative quick coupling system with snap pin.



**1SECB5-IN (black base)**  
**1SECB5-I (stainless steel base)**



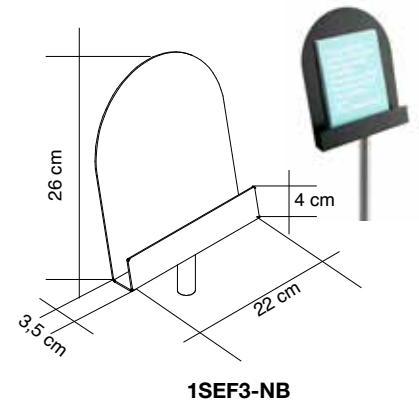
**1SECB6-IN (black base)**  
**1SECB6-I (stainless steel base)**



Code: **1SEF3-NB**

Dimensions: height 26 cm – length 22 cm – depth 3,5 cm  
edge height front 4 cm

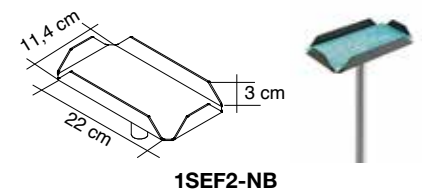
Description: large shaped display unit made of black embossed epoxy powder-coated steel. The display attaches directly to the column by means of an innovative quick coupling system with snap pin.



Code: **1SEF2-NB**

Dimensions: height 22 cm – length 11,4 cm  
edge height front 3 cm

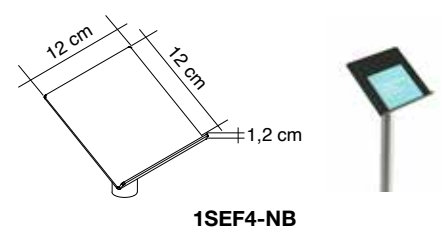
Description: brochure holder made of black embossed epoxy powder-coated steel. The brochure holder attaches directly to the column by means of an innovative quick coupling system with snap pin.



Code: **1SEF4-NB**

Dimensions: height 11 cm – length 12 cm  
edge height front 1,2 cm

Description: display unit - lectern made of black embossed epoxy powder-coated steel. The display attaches directly to the column by means of an innovative quick coupling system with snap pin.



## SCPECIFICATION

Range: **SET**

Design: **Caimi Lab**

Codes: 1SECBA8-IN - 1SECBA8-I - 1SECBA9-IN - 1SECBA9-I

Dimensions: base  $\varnothing$  30 cm  
stanchion  $\varnothing$  2,5 cm – H 92,5 cm e H 47,5 cm

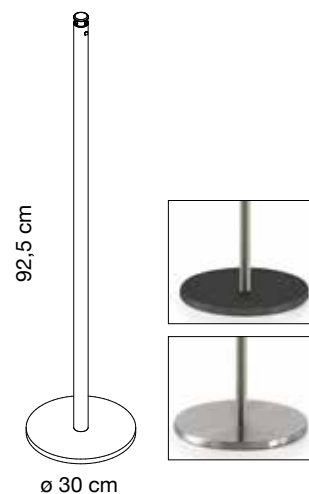
Description: four-way stanchions for hooking elastic course markers ropes ( $\varnothing$  3 mm), composed of a circular base ( $\varnothing$  30 cm), in black embossed epoxy powder-coated steel or covered in stainless steel with concentric satin finish and a satin-finish stainless steel tube ( $\varnothing$  2.5 cm, height 91 cm or 46 cm), which can be screwed into the lower part of the base by means of an M8 screw and has a lateral hole in the upper part for fixing the connection part of the elastic threads, also made of satin-finish stainless steel, with four threaded holes for the attachment of the elastic threads. The connection to the stanchion is achieved thanks to an innovative quick coupling system with snap pin.



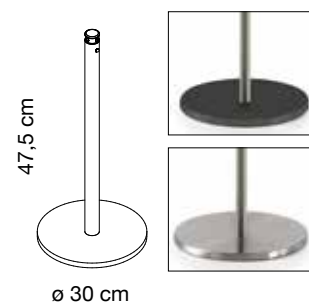
Codes: **1SEE1-R**

Dimensions:  $\varnothing$  3 mm – lenght 200 cm

Description: elastic cords mark the path in red, with screw terminals in turned and satin-finished stainless steel at both ends.



**1SECBA8-IN (black base)**  
**1SECBA8-I (stainless steel base)**



**1SECBA9-IN (black base)**  
**1SECBA9-I (stainless steel base)**



L. 200 cm

## SPECIFICATION

Range: **SET**

Design: **Caimi Lab**

Codes: **1SECBA6-IN / 1SECBA6-I**

Dimensions: base  $\varnothing$  30 cm  
stanchion  $\varnothing$  2,5 cm – H 91 cm o H 46 cm

Description: four-way stanchions for course markers cords, composed of a circular base ( $\varnothing$  30 cm), in black epoxy powder-coated embossed steel or covered in stainless steel with concentric satin finish and a satin-finish stainless steel tube ( $\varnothing$  2.5 cm, height 91 cm or 46 cm), which can be screwed into the lower part of the base by means of an M8 screw and has a side hole in the upper part for connecting the cord hooking element, also made of satin-finish stainless steel. The connection to the stanchion is achieved thanks to an innovative quick coupling system with snap pin.

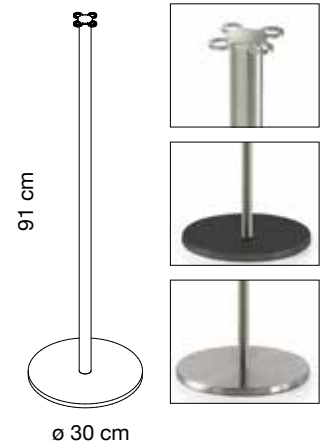
Codes: **1SECR1-N**

Dimensions:  $\varnothing$  2 cm – lenght 180 cm

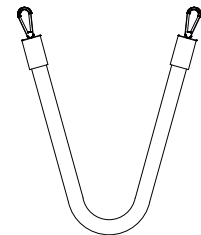
Descriptions: black technopolymer cord, with satin-finish stainless steel terminals at both ends and galvanized and satin-finish zamak carabiners.

Codes: **1SEA4-I**

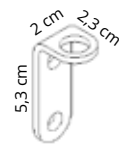
Descrizione: simple wall-mounting fixture made in satin-finish stainless steel, to hook the cord karabiner.



**1SECBA6-IN (black base)**  
**1SECBA6-I stainless steel base)**



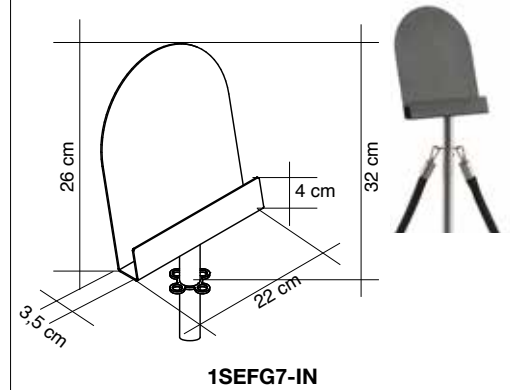
L. 180 cm



Code: **1SEFG7-IN**

Dimensions: height 26 cm – length 22 cm – depth 3,5 cm  
edge height front 4 cm

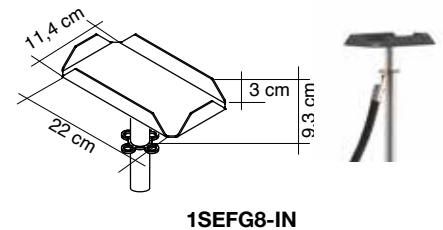
Description: large shaped display unit made of black embossed epoxy powder-coated steel. The display can be hooked to the stanchions by means of the 4-way satin-finish stainless steel connecting element for cords. The coupling is achieved by means of an innovative quick coupling system with snap pin.



Code: **1SEFG8-IN**

Dimensions: height 22 cm – length 11,4 cm  
edge height front 3 cm

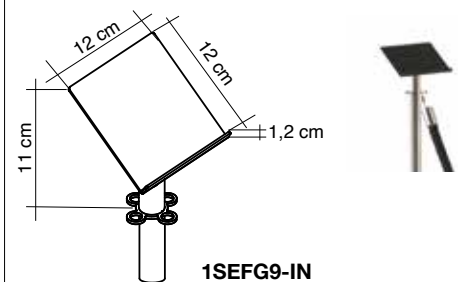
Description: brochure holder made of black embossed epoxy powder-coated steel. The brochure holder can be hooked to the stanchions by means of the 4-way satin-finish stainless steel connecting element for cords. The coupling is achieved by means of an innovative quick coupling system with snap pin.



Code: **1SEFG9-IN**

Dimensions: height 11 cm – length 12 cm  
edge height front 1,2 cm

Description: display unit - lectern made of black embossed epoxy powder-coated steel. The display can be hooked to the stanchions by means of the 4-way satin-finish stainless steel connecting element for cords. The coupling is achieved by means of an innovative quick coupling system with snap pin.



Deze informatie is afkomstig van de website van Zero-Z design.  
Voor vragen, toelichting en meer informatie kunt u contact opnemen met:

**Zero-Z design**

Modem 20b

7741 MJ Coevorden

**T** +31 (0)30 2201297

**E** [info@zero-z-design.nl](mailto:info@zero-z-design.nl)

**W** [www.zero-z-design.nl](http://www.zero-z-design.nl)

[www.akoestiekexpert.nl](http://www.akoestiekexpert.nl)

