

## SPECIFICATION

Range: **SEPA'**  
Design: **Sezgin Aksu**

Freestanding "Snowsound Fiber Technology" sound-absorbing element.

Fabric description:

"Snowsound Fiber 3 Melange" sound absorbing fabric made entirely of polyester, equipped with a zipper at the end that allows its removal.

The fabric has a **Class1** fire reaction (Italian standard) and **Euroclass B-s1, d0**.

The fabric is **Greenguard Gold certified**, which certifies its low VOC emission and its contribution to the quality of the indoor environment.

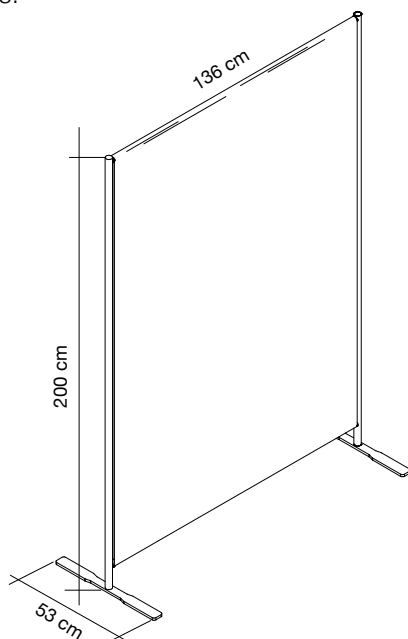
The fabric is **100% recyclable** and has no detectable formaldehyde content according to UNI EN 717-2. It doesn't contain felt or other organic materials (hard to recycle).

Fabric Metration: 4,9 m<sup>2</sup>

Structure description:

Structure consisting of two uprights, made of chromed steel tube  $\varnothing$  28 mm, at which two crossbars are screwed (top and bottom), also made in tubular steel  $\varnothing$  25 mm. The bases, made of 5 mm thick, epoxy powder coated steel sheet are fixed to the uprights by 3 M6x20 screws.

Dimensions:



Available colors:

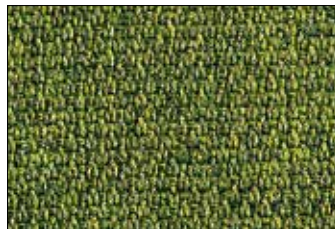
**300**



**305**



**309**



## SPECIFICATION

Range: **SEPA' ROLLS**  
Design: **Sezgin Aksu**

Freestanding "Snowsound Fiber Technology" sound-absorbing element.

Fabric description:

"Snowsound Fiber 3 Melange" sound absorbing fabric made entirely of polyester, equipped with a zipper at the end that allows its removal.

The fabric has a **Class1** fire reaction (Italian standard) and **Euroclass B-s1, d0**.

The fabric is **Greenguard Gold certified**, which certifies its low VOC emission and its contribution to the quality of the indoor environment.

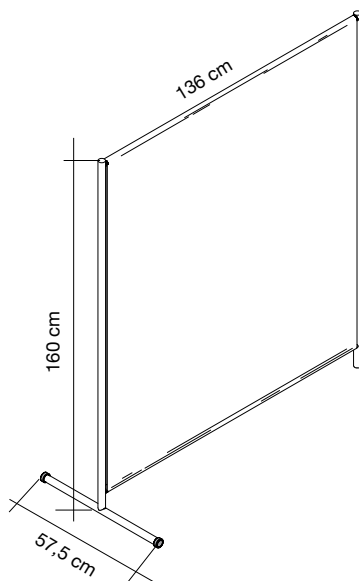
The fabric is **100% recyclable** and has no detectable formaldehyde content according to UNI EN 717-2. It doesn't contain felt or other organic materials (hard to recycle).

Fabric Metrature: 3,9 m<sup>2</sup>

Structure description:

Structure consisting of two uprights, made of chromed steel tube  $\varnothing$  28 mm, at which two crossbars are screwed (top and bottom), also made in tubular steel  $\varnothing$  25 mm. One upright ends at the bottom with a foot technopolymer support, the other is welded to a chromed tubular steel base  $\varnothing$  28 mm, equipped at both ends with one-way technopolymer wheels.

Dimensions:



Available colors:

**300**



**305**



**309**



Deze informatie is afkomstig van de website van Zero-Z design / Akoestiekexpert.nl.

Voor vragen, toelichting en meer informatie kunt u contact opnemen met:

**Zero-Z design**

Jasmijnstraat 6a	Modem 20b
3732 EC De Bilt	7741 MJ Coevorden

**T** +31 (0)30 2201297

**F** +31 (0)30 2210692

**E** [info@zero-z-design.nl](mailto:info@zero-z-design.nl)

**W** [www.zero-z-design.nl](http://www.zero-z-design.nl)

[www.akoestiekexpert.nl](http://www.akoestiekexpert.nl)

