

MOD. 602/L0



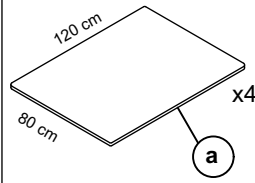
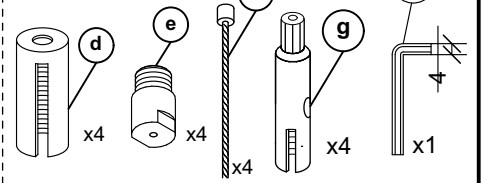
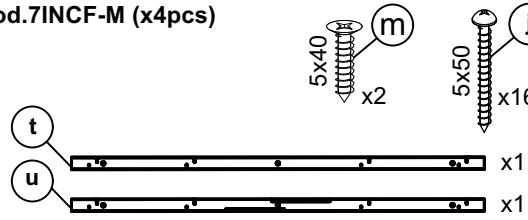
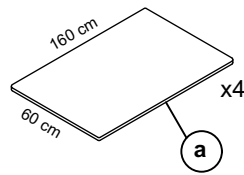
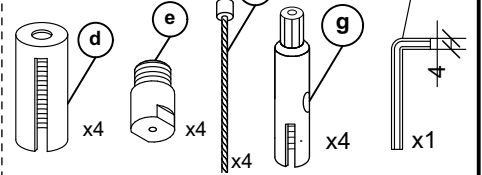
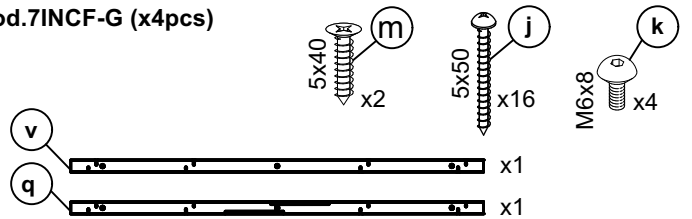
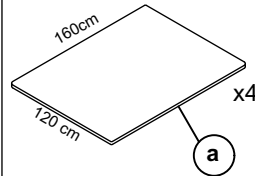
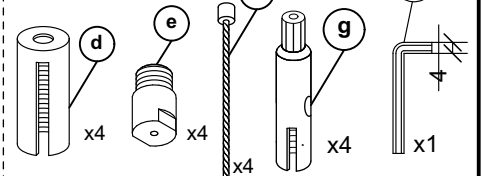
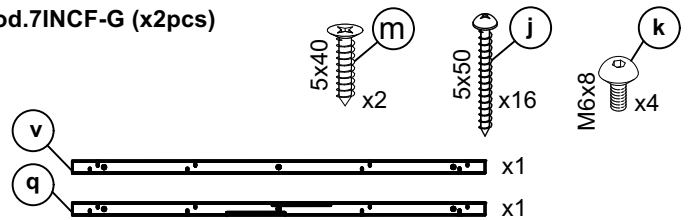
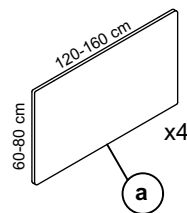
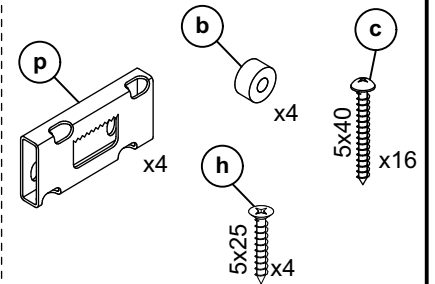
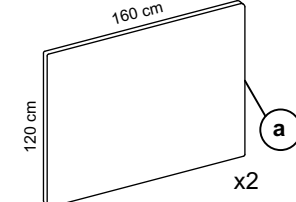
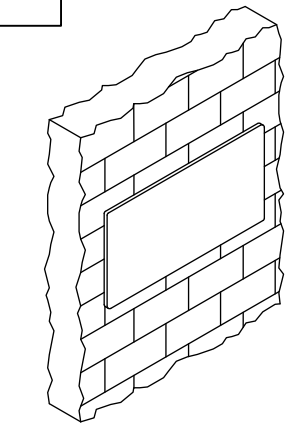
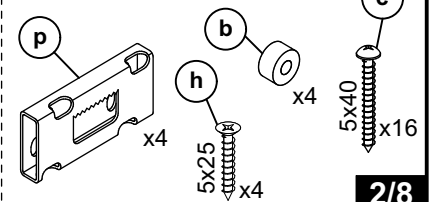
Caimi INDUSTRIAL

Design: Caimi Lab

CAIMI BREVETTI S.p.A.
Via Brodolini 25-27
20834 Nova Milanese (MB) Italy

* (xx = variante colore, colour alternative, variante couleur, variante color, Farbe Variante)

<p>A</p>	<p>cod. 7IN122/BD</p>	<p>cod.7IN122/8-B cod.7IN162/8-B</p>	<p>cod.7INB/8 (x2pcs)</p>	
	<p>cod. 7IN162/BD</p>	<p>cod.7IN122/4-B cod.7IN166/4-B cod.7IN128/4-B</p>	<p>cod.7INB/8</p>	
	<p>cod. 7IN164/BD</p>			
	<p>cod. 7IN166/BD</p>			
	<p>cod. 7IN128/BD</p>			
<p>B</p>	<p>cod. 7IN122/B</p>	<p>cod.7IN122/8-B cod.7IN162/8-B</p>	<p>cod.7INB/8 (x2pcs)</p>	<p>cod.7IN604 (x4pcs)</p>
	<p>cod. 7IN162/B</p>	<p>cod.7IN164/4-B cod.7IN166/4-B cod.7IN128/4-B</p>		
	<p>cod. 7IN164/B</p>			
	<p>cod. 7IN166/B</p>			
	<p>cod. 7IN128/B</p>			

C**cod.
7IN128/CC****cod.7IN128/4-B****cod.7IN604 (x4pcs)****cod.7INCF-M (x4pcs)****cod.
7IN166/CC****cod.7IN166/4-B****cod.7IN604 (x4pcs)****cod.7INCF-G (x4pcs)****cod.
7IN1612/CC****cod.7IN1612/2-B****cod.7IN604 (x2pcs)****cod.7INCF-G (x2pcs)****D****cod.
7IN128/WD****cod.7IN128/4-B
cod.7IN166/4-B****cod.7S377/4 (x2pcs)****cod.
7IN166/WD****cod.
7IN1612/WD****cod.7IN1612/2-B****cod.7S377/4**

B

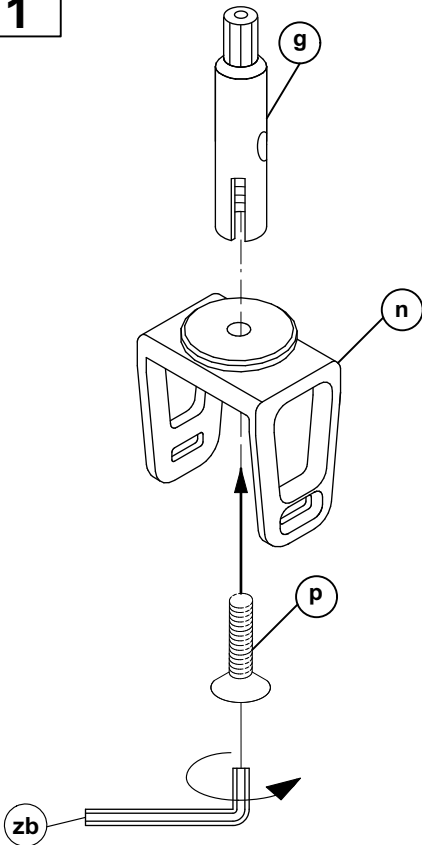
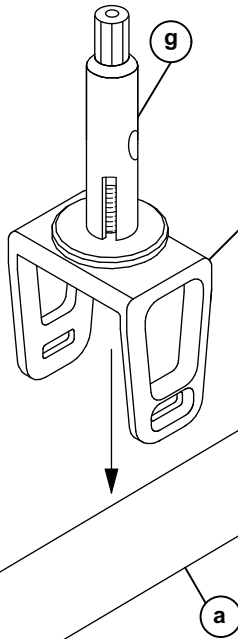
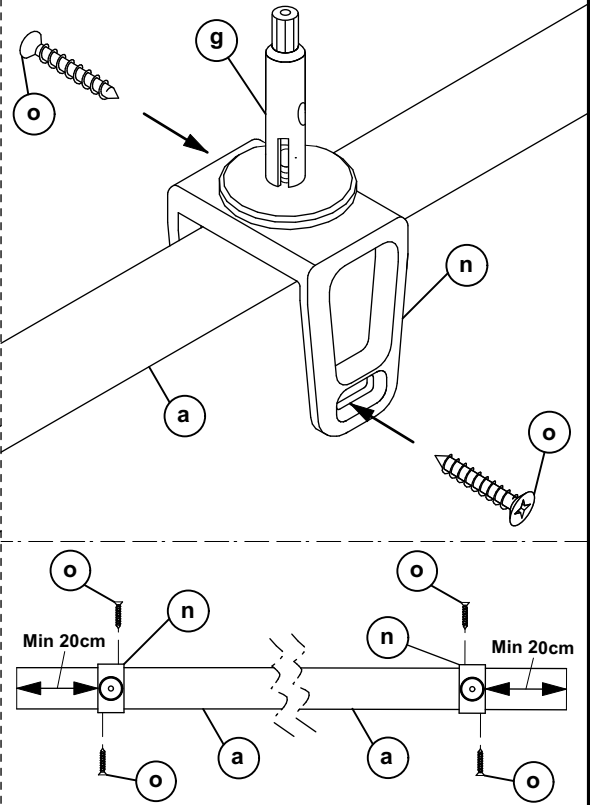
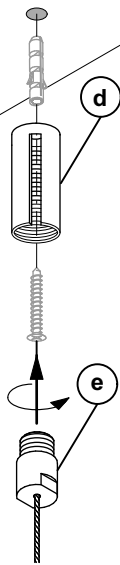
cod.7IN122/B

cod.7IN162/B

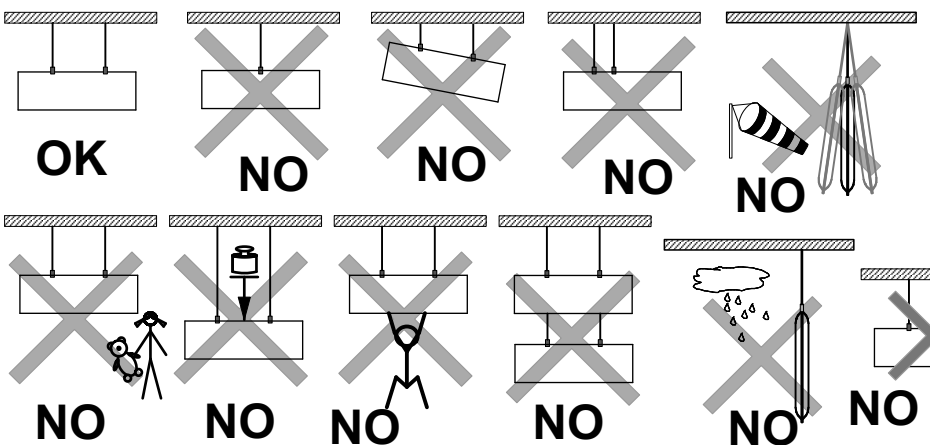
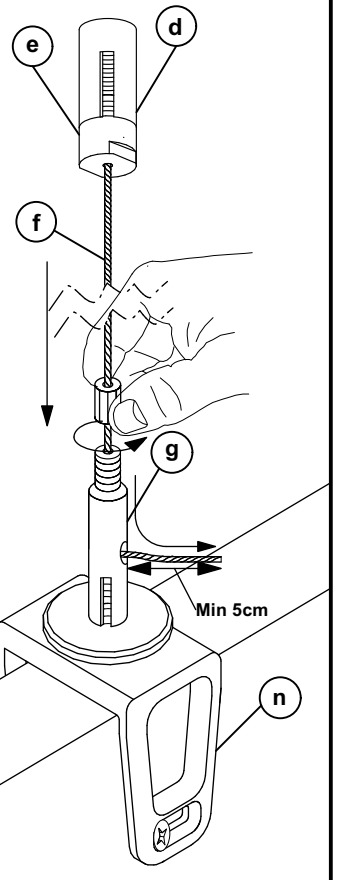
cod.7IN164/B

cod.7IN166/B

cod.7IN128/B

1**2****3****4****5****6**

ATTENZIONE: il cavo (f) potrebbe sporcare il pannello
 ATTENTION: the cable (f) may soil the panel
 ATTENTION : le câble (f) risque de salir le panneau
 ATENCIÓN: el cable (f) puede ensuciar el panel
 ACHTUNG: das Kabel (f) kann die Platte verschmutzen



°C

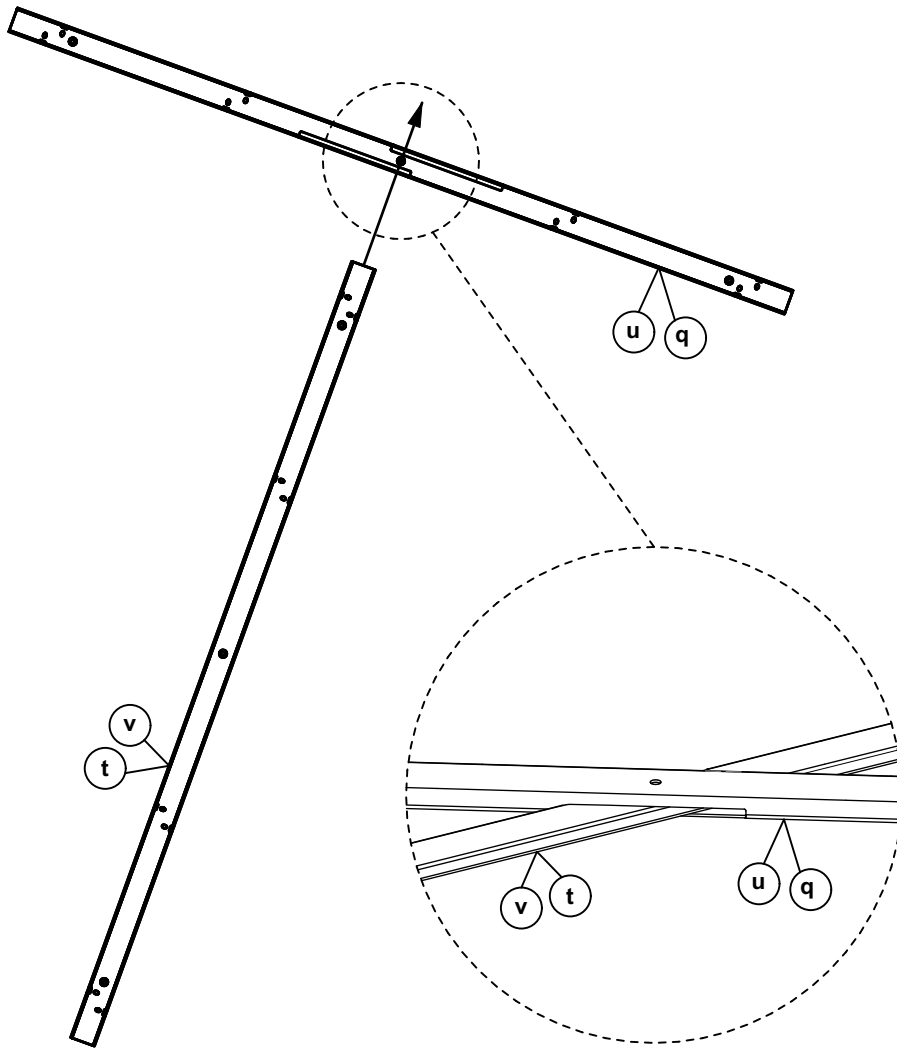
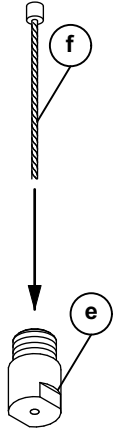
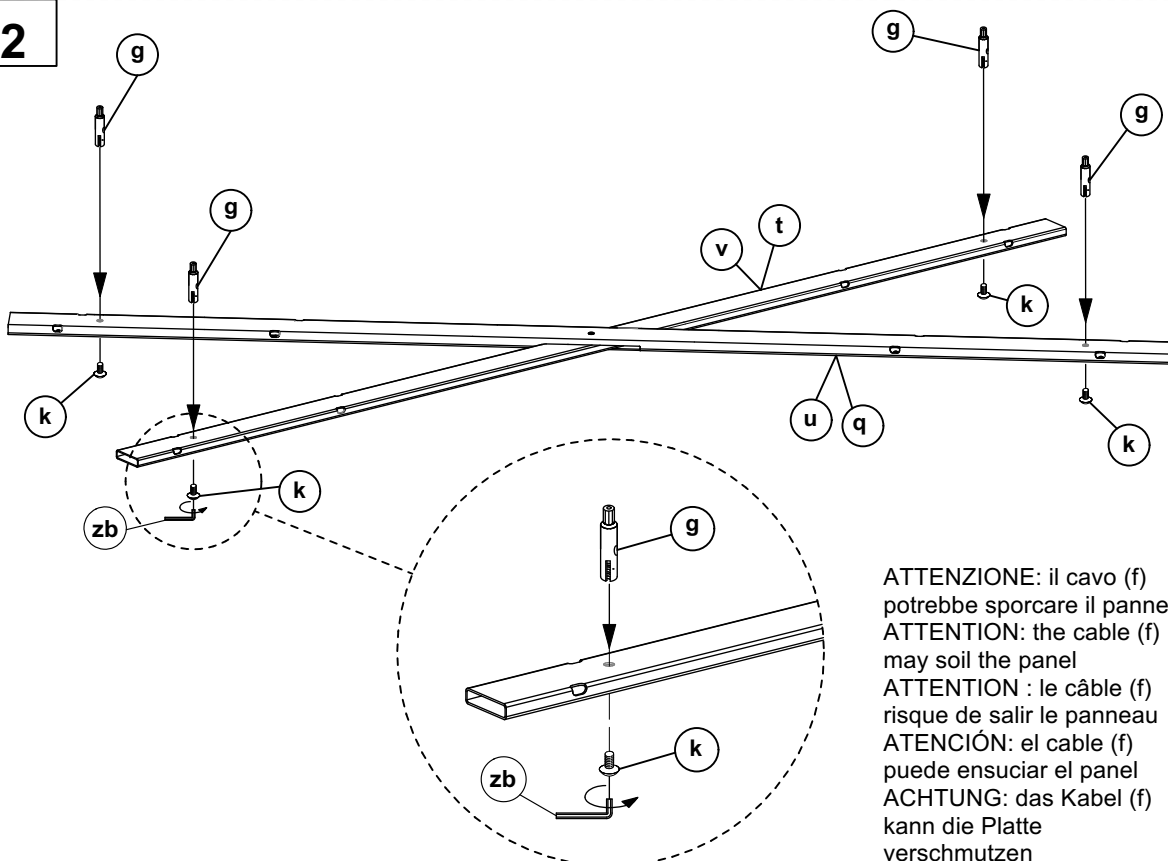
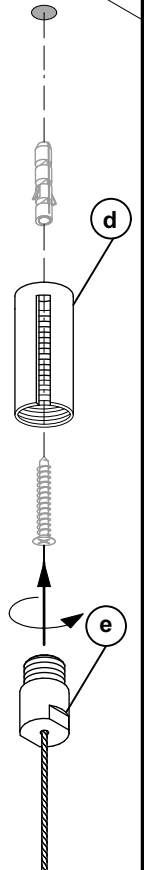
- tenere lontano da fonti di calore
- keep away from heat sources
- tenir loin de sources de chaleur
- mantener alejado de fuentes de calor
- Von Wärmequellen fernhalten

C

cod.7IN128/CC

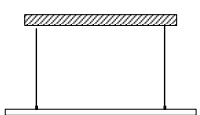
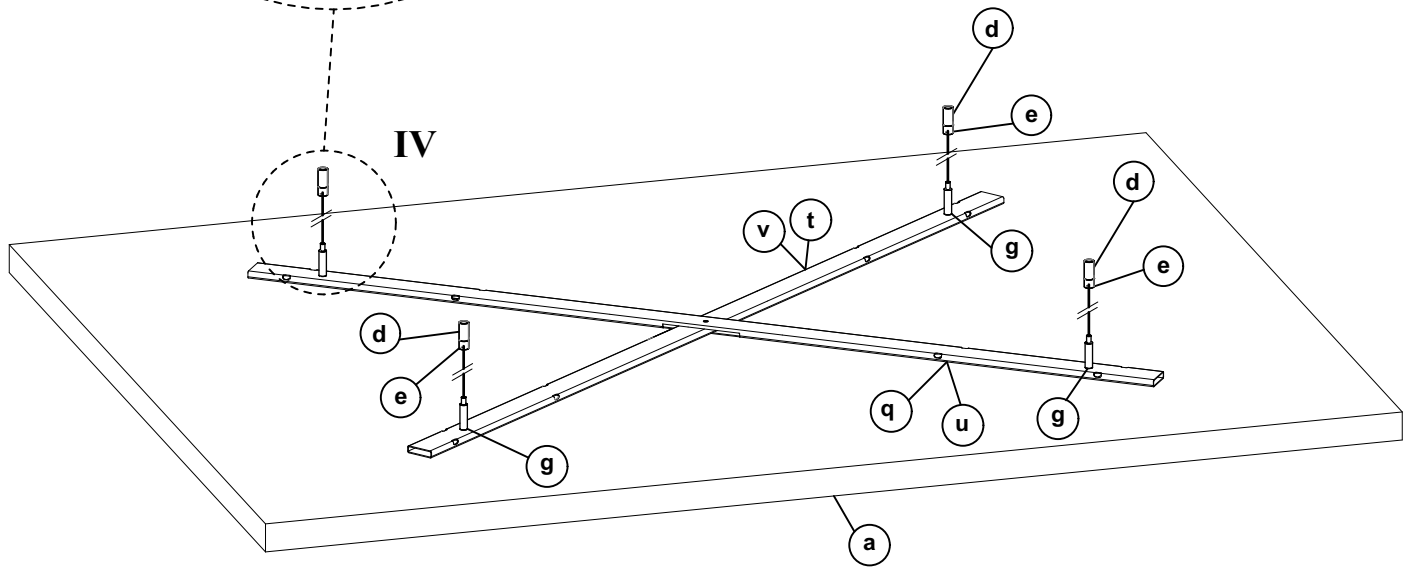
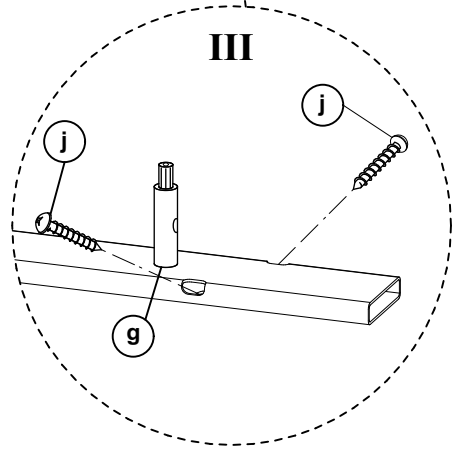
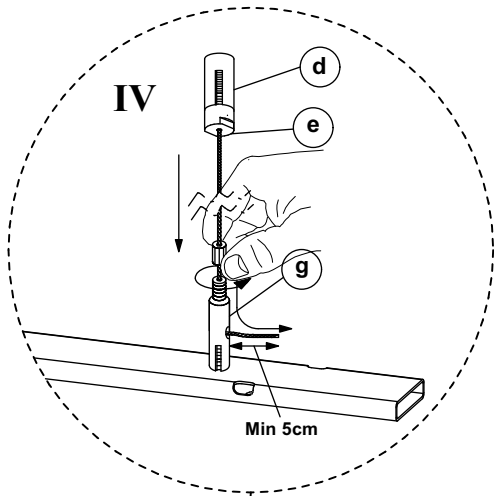
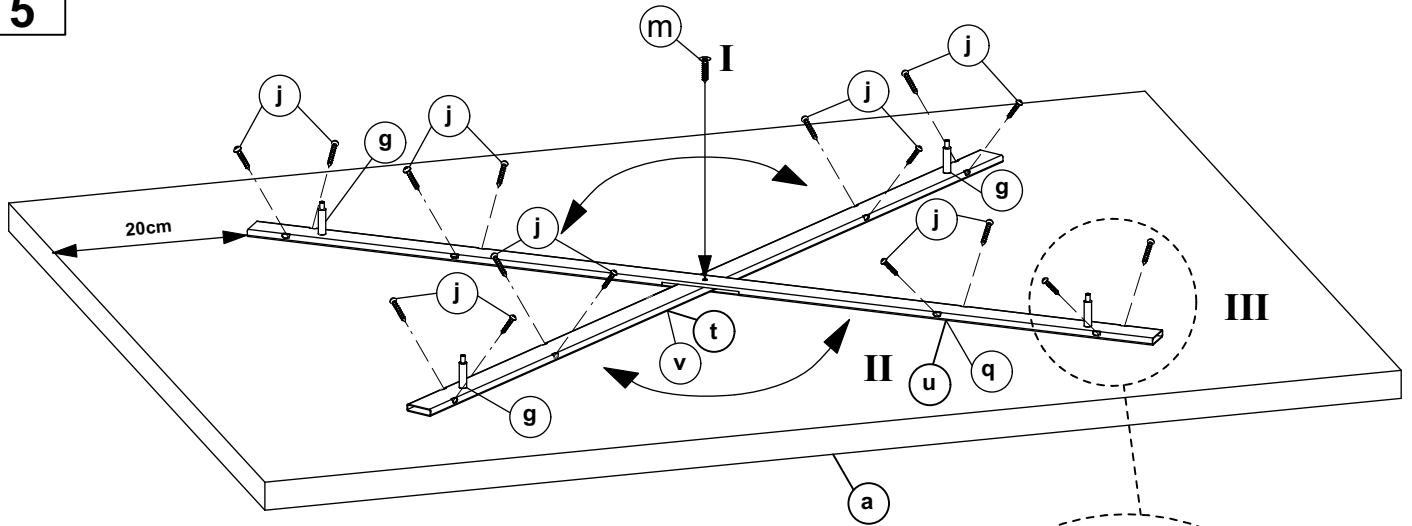
cod.7IN166/CC

cod.7IN1612/CC

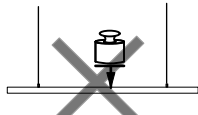
1**3****2****4**

ATTENZIONE: il cavo (f)
potrebbe sporcare il pannello
ATTENTION: the cable (f)
may soil the panel
ATTENTION: le câble (f)
risque de salir le panneau
ATENCIÓN: el cable (f)
puede ensuciar el panel
ACHTUNG: das Kabel (f)
kann die Platte
verschmutzen

5



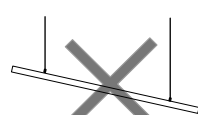
OK



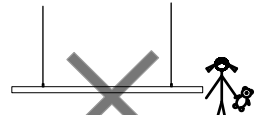
NO



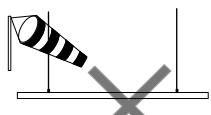
NO



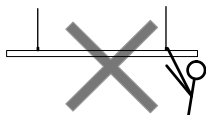
NO



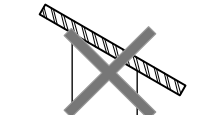
NO



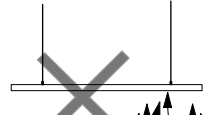
NO



NO



NO



NO



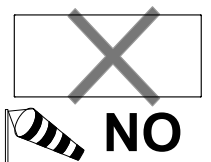
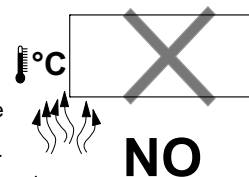
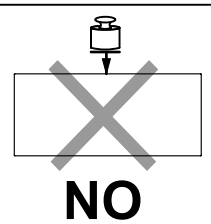
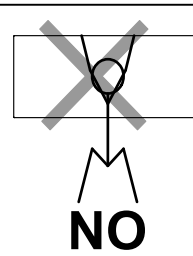
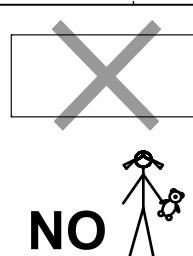
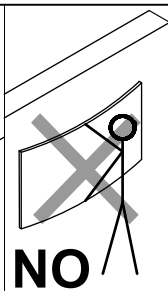
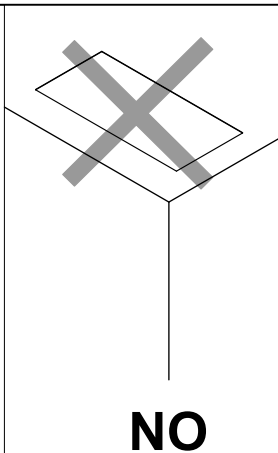
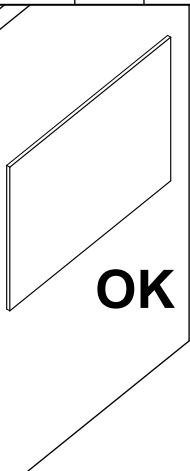
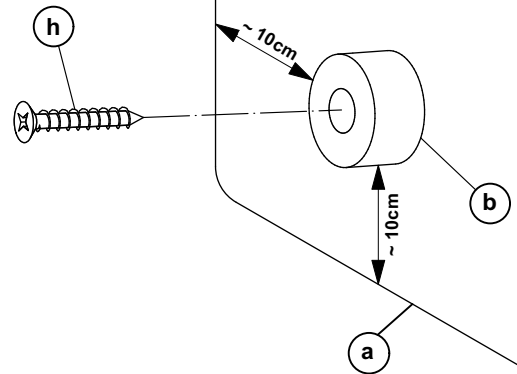
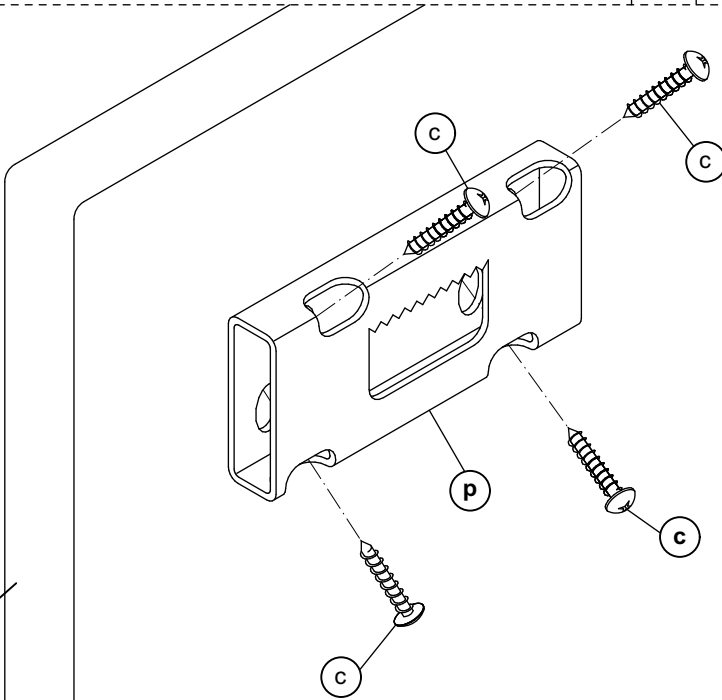
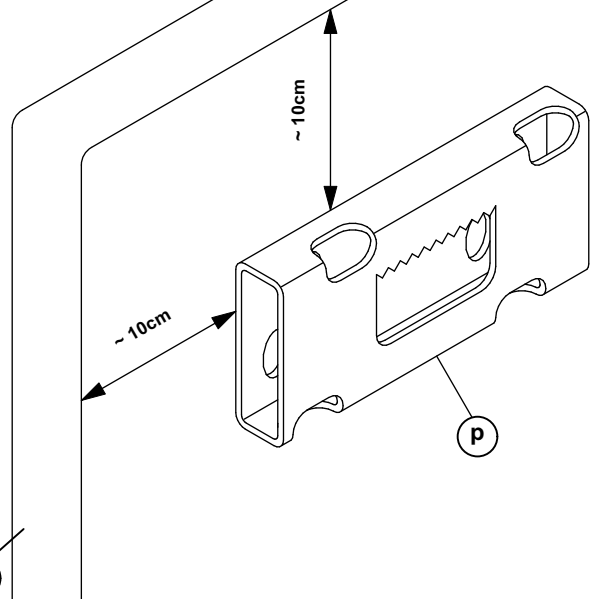
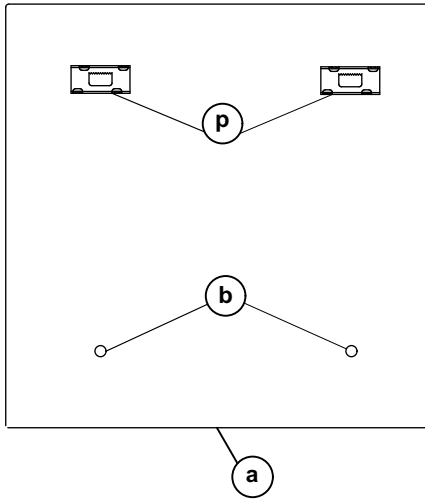
- tenere lontano da fonti di calore
- keep away from heat sources
- tenir loin de sources de chaleur
- mantener alejado de fuentes de calor
- Von Wärmequellen fernhalten

D

cod.7IN128/WD

cod.7IN166/WD

cod.7IN1612/WD



- tenere lontano da fonti di calore
- keep away from heat sources
- tenir loin de sources de chaleur
- mantener alejado de fuentes de calor
- Von Wärmequellen fernhalten

Deze informatie is afkomstig van de website van Zero-Z design / Akoestiekexpert.nl.

Voor vragen, toelichting en meer informatie kunt u contact opnemen met:

Zero-Z design

Modem 20b

7741 MJ Coevorden

T +31 (0)30 2201297

E info@zero-z-design.nl

W www.zero-z-design.nl

www.akoestiekexpert.nl

