

**SPECIFICATION**

Range: **CB SOFA**  
Design: **Claudio Bellini**

Description

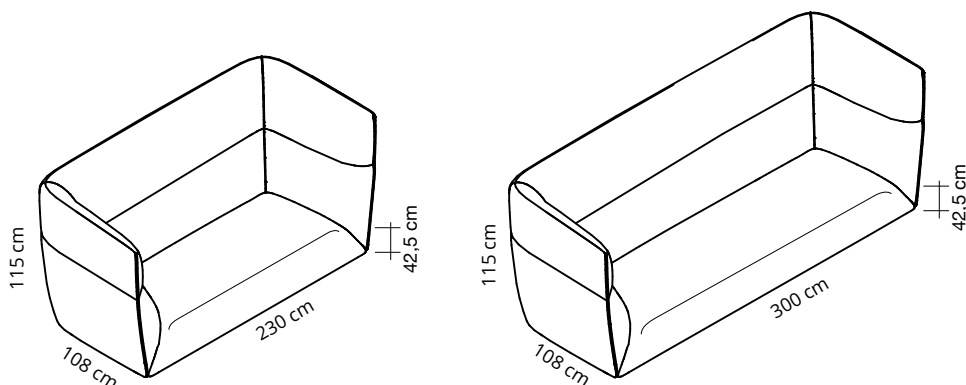
Upholstered sound-absorbing seats with supporting structure made of wooden material and elastic belts sized to independently absorb low frequencies and covered with sound-absorbing polyurethanes and polyester which, combined with the upholstery in sound-absorbing Snowsound Fiber 8 Bouclé o 14 Biosphere fabric made of polyester fibres, allows the seat to absorb the different frequencies in the best possible way.

Meets the strength, durability and safety requirements of **EN 16139:2013+AC:2013 level 1**

Results obtained in tests according to the standards:

EN 16139	prot.n. 352882- 1/2023
EN 1728	prot.n. 352882- 2/2023
EN 1728	prot.n. 352882- 3/2023
EN 1728	prot.n. 352882- 4/2023
EN 1728	prot.n. 352882- 5/2023
EN 1728	prot.n. 352882- 6/2023
EN 1728	prot.n. 352882- 7/2023
EN 1728	prot.n. 352882- 8/2023
EN 1728	prot.n. 352882- 9/2023
EN 1728	prot.n. 352882- 10/2023
EN 1022	prot.n. 352882- 11/2023
EN 1022	prot.n. 352882- 12/2023

**Dimensions:**



**Fiber 8 Bouclé**



**Fiber 14 Biosphere**

## Characteristics of the external fabric FIBER 8 BOUCLE'

**Composition:** acoustic fibers 100% polyester. No detectable formaldehyde contents.

**Weight:** 460 (g/m<sup>2</sup>) - 667 (g/linear meter)

### REACTION TO FIRE

**Italian Class : Class1.** Test executed according to UNI 8456 and UNI 9174

**Euroclass: B-s1, d0.** Reaction to fire classification according to UNI EN 13501-1, executed following UNI EN ISO 11925-2 and UNI EN 13823

External fabric is **Greenguard Gold certified**, validating its low VOC emission characteristics and its contribution to indoor environmental quality.

### ABRASION RESISTANCE OF FABRICS - MARTINDALE MACHINE METHOD

**25.000 rubs**

Test executed according to UNI EN ISO 12947-2:2000

### DETERMINATIONS OF FABRIC PROPENSITY TO SURFACE FUZZING AND TO PILLING

**CLASS 5 (5.000 rubs)**

Test executed according to UNI EN ISO 12945-2:2002

### COLOUR FASTNESS TO ARTIFICIAL LIGHT: Xenon arc fading lamp test (BLUE SCALE)

**FASTNESS INDEX: 6/7**

Test executed according to UNI EN ISO 105-B02:2014

## Characteristics of the external fabric FIBER 14 BIOSPHERE

**Composition:** acoustic fibers 100% polyester. No detectable formaldehyde contents.

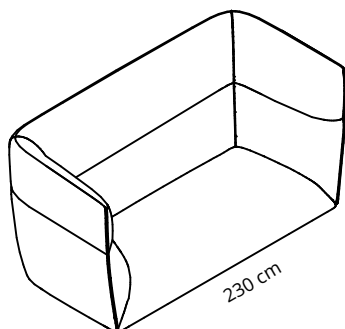
**Weight:** 600 (g/m<sup>2</sup>) - 840 (g/linear meter)

### REACTION TO FIRE

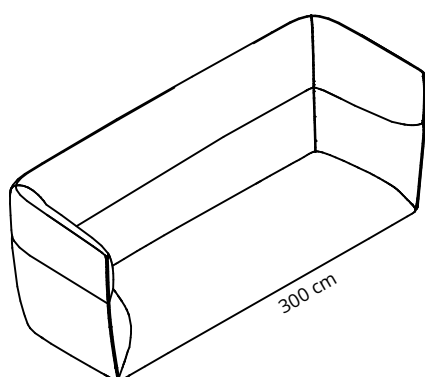
**Italian Class : Class1.** Test executed according to UNI 8456 and UNI 9174

## ACOUSTIC PERFORMANCE

Measurement of sound absorption coefficient calculated according to ISO 354:2003, Frequency Hz / Aobj

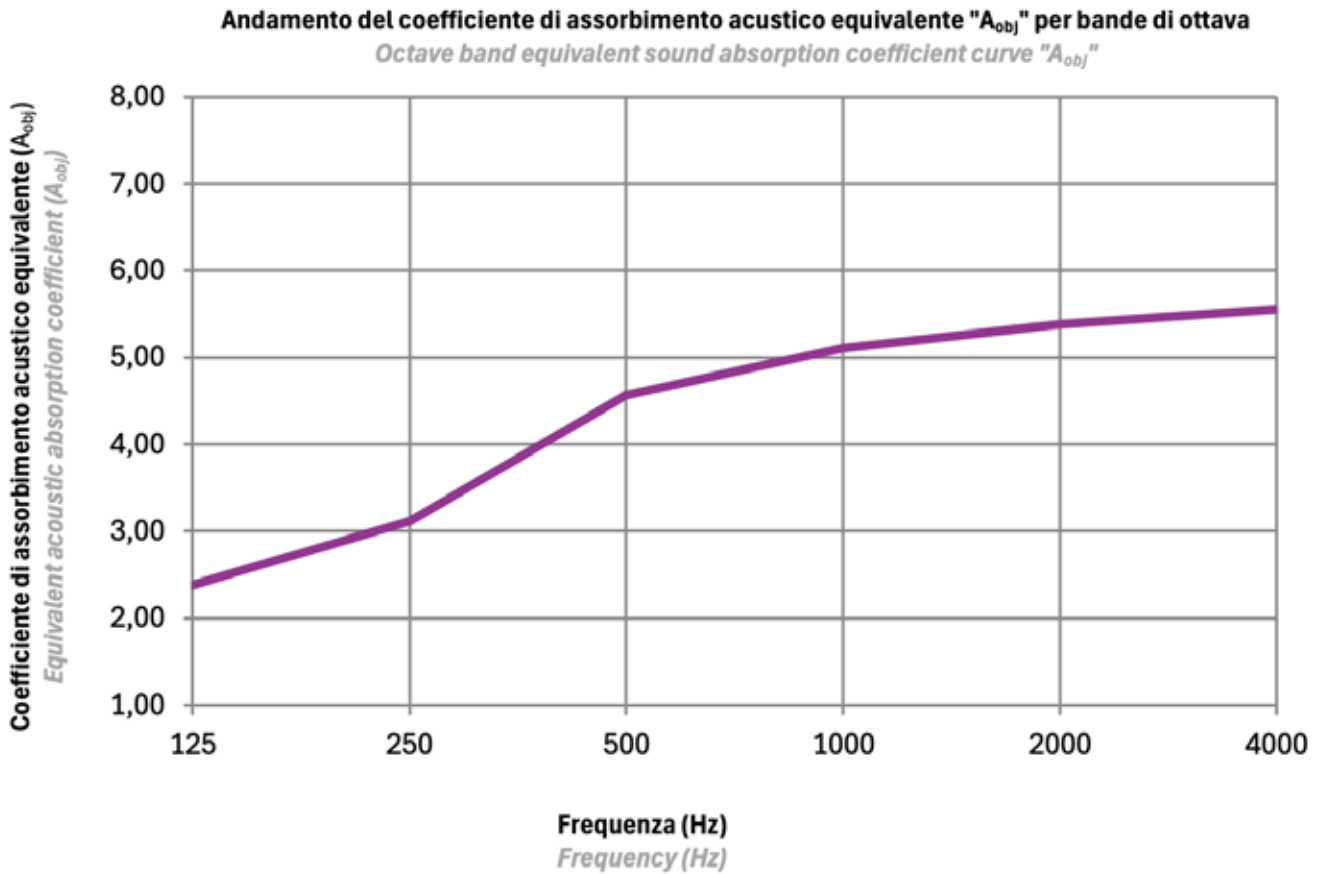


External textile cover:	125 Hz / Aobj <b>2,38</b> m <sup>2</sup>
Fiber 8 Bouclé	250 Hz / Aobj <b>3,12</b> m <sup>2</sup>
Fiber 14 Biosphere	500 Hz / Aobj <b>4,57</b> m <sup>2</sup>
	1000 Hz / Aobj <b>5,11</b> m <sup>2</sup>
	2000 Hz / Aobj <b>5,38</b> m <sup>2</sup>
	4000 Hz / Aobj <b>5,55</b> m <sup>2</sup>

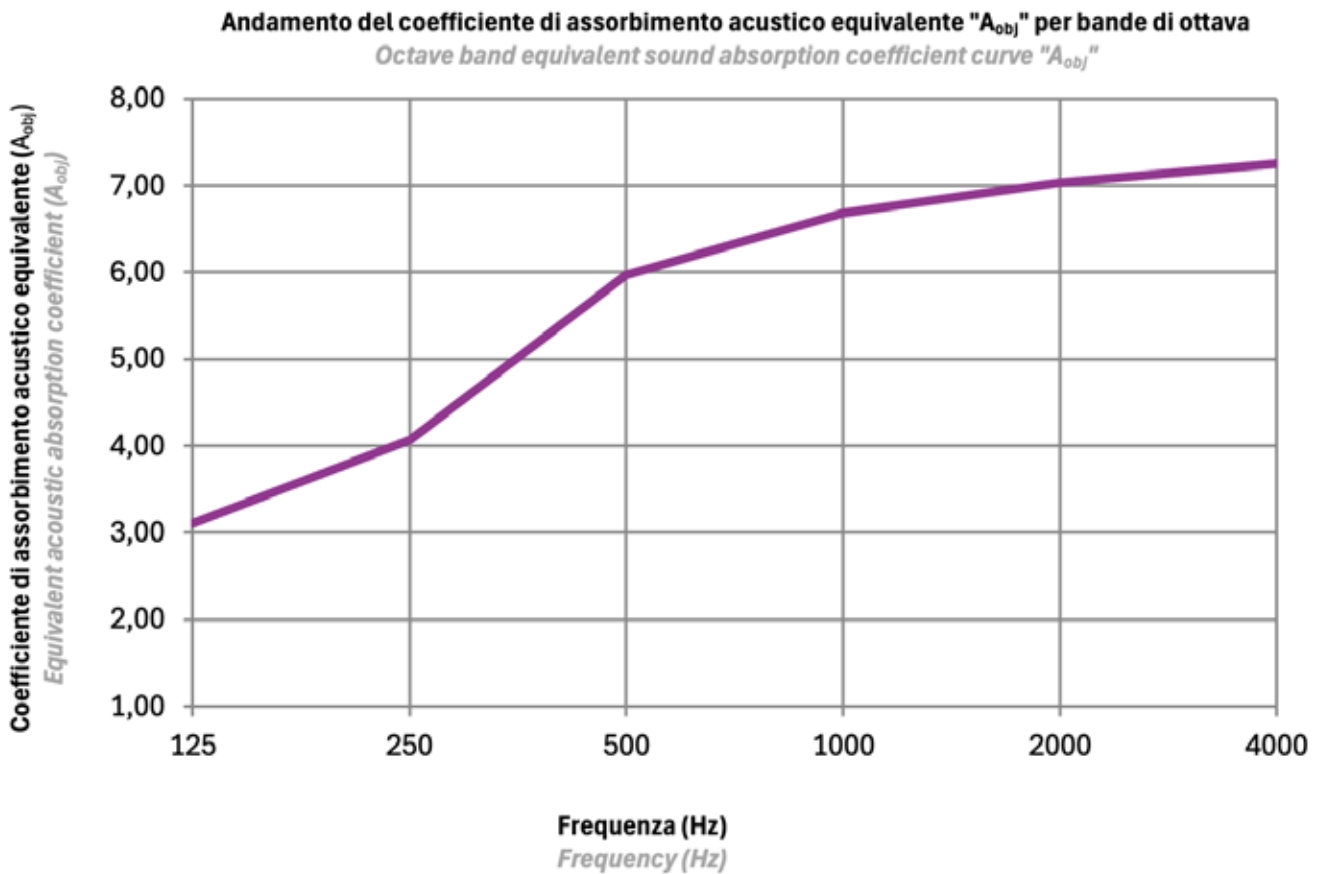


External textile cover:	125 Hz / Aobj <b>3,11</b> m <sup>2</sup>
Fiber 8 Bouclé	250 Hz / Aobj <b>4,07</b> m <sup>2</sup>
Fiber 14 Biosphere	500 Hz / Aobj <b>5,97</b> m <sup>2</sup>
	1000 Hz / Aobj <b>6,68</b> m <sup>2</sup>
	2000 Hz / Aobj <b>7,04</b> m <sup>2</sup>
	4000 Hz / Aobj <b>7,26</b> m <sup>2</sup>

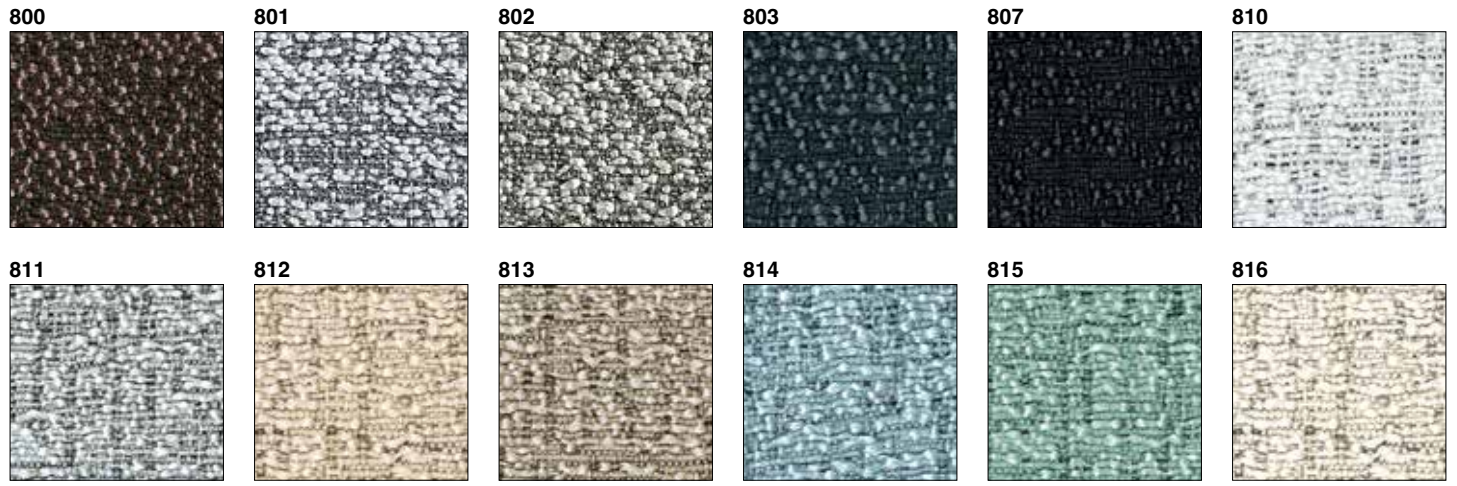
CB Sofa lenght 230 cm - Fiber 8 Bouclé or Fiber 14 Biosphere textile cover



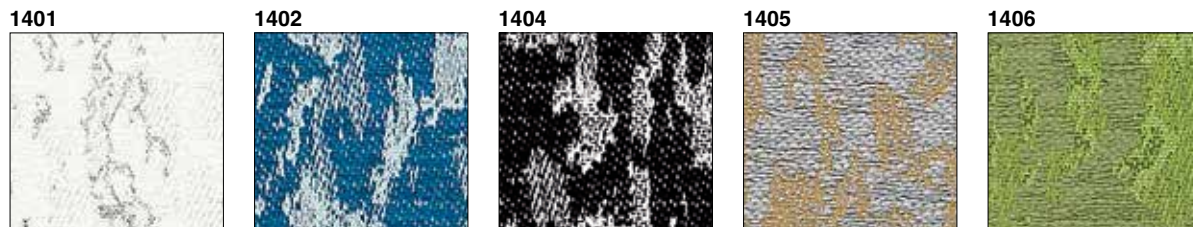
CB Sofa lenght 300 cm - Fiber 8 Bouclé or Fiber 14 Biosphere textile cover



Fiber 8 Bouclé available colours



Fiber 14 Biosphere available colours



Deze informatie is afkomstig van de website van Zero-Z design / Akoestiekexpert.nl.

Voor vragen, toelichting en meer informatie kunt u contact opnemen met:

**Zero-Z design**

Modem 20b

7741 MJ Coevorden

**T** +31 (0)30 2201297

**E** [info@zero-z-design.nl](mailto:info@zero-z-design.nl)

**W** [www.zero-z-design.nl](http://www.zero-z-design.nl)

[www.akoestiekexpert.nl](http://www.akoestiekexpert.nl)

